

Request for Wind Pressures for Componets and Cladding

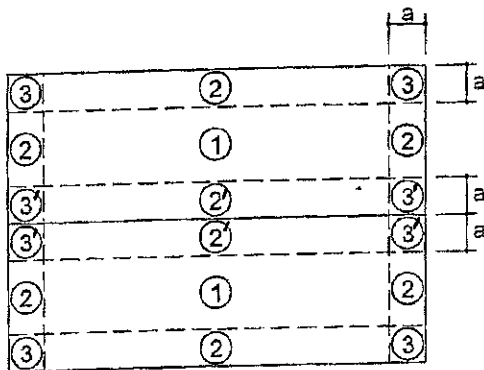
In order for Metl-Span I Ltd. To verify that the panel is capable of withstanding the wind loads for your specific project, and to properly design the attachment scheme, we will require the pressures for Components and Cladding. The Engineer of Record should have this information. Below is a chart for supplying the required loads. Please not that both positive and negative wind pressures are required. If a zone is not applicable to this specific project, Pleas note "N/A".

RETURN-FAX COMPLETED FORM TO 972-436-7028

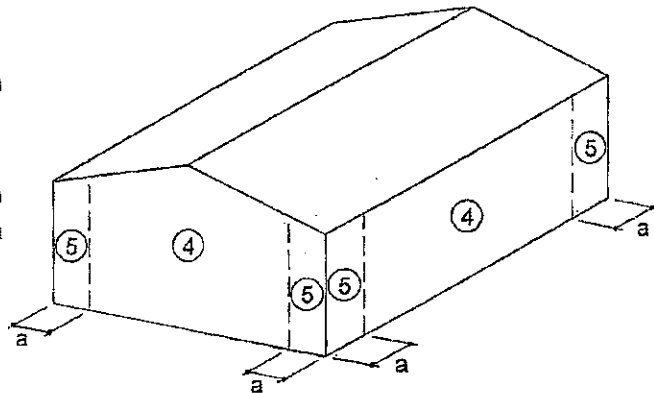
Gable or Flat Roofs

Zone	Description	Pos. Pressure (+)	Neg. Pressure (-)	Special Notes
1	Roof - Field			
2	Roof - Edge			
2'	Ridge-Edge			
3	Roof-Corner			
3'	Ridge-Corn.			
4	Walls - Field			
5	Walls - Corn.			

Pressure in Pounds per Square Foot (PSF)



Roof Plan



Wall Isometric

a = ____

Does the applicable code allow a 1/3 increase in allowable stress for wind loads?

Yes No.

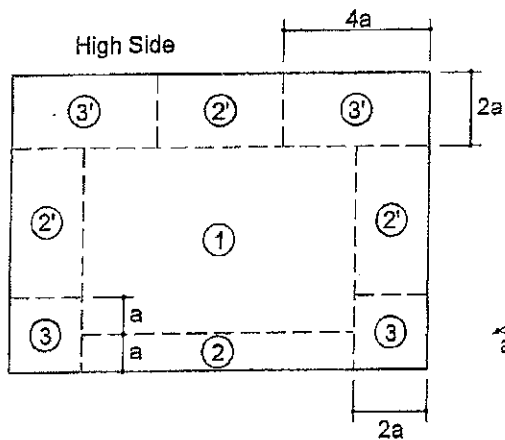
Note: Do not include the reduction in the wind loads above.

Attach any additional information that you feel will be pertinent in the design of the panels and their attachment.

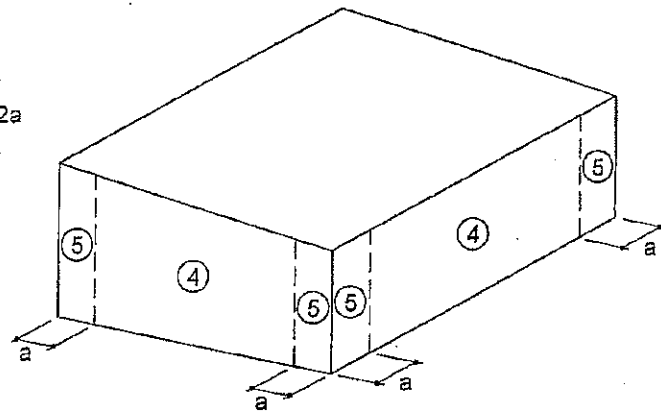
Mono-slope Roofs

Zone	Description	Pos. Pressure (+)	Neg. Pressure (-)	Special Notes
1	Roof - Field			
2	Roof - Edge			
2'	Ridge-Edge			
3	Roof-Corner			
3'	Ridge-Corn.			
4	Walls - Field			
5	Walls - Corn.			

Pressure in Pounds per Square Foot (PSF)



Roof Plan



Wall Isometric

a = ___

Does the applicable code allow a 1/3 increase in allowable stress for wind loads?

__ Yes __ No.

Note: Do not include the reduction in the wind loads above.

Attach any additional information that you feel will be pertinent in the design of the panels and their attachment.